

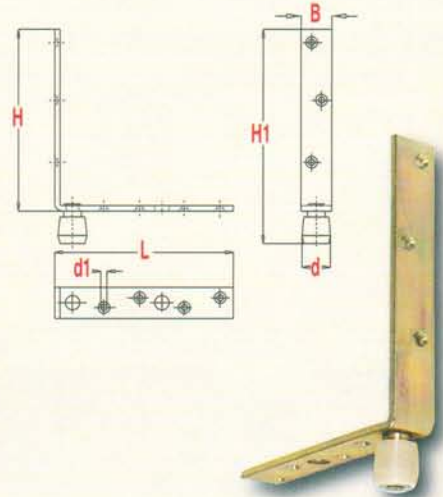
**🇬🇧 CORNER GUIDE TYPE "A" WITH ROLLER**

**🇩🇪 FÜHRUNGSROLLE AUSFUEHRUNG "A"**

**🇫🇷 GUIDE SUR EQUERRE EN BORDURE**

**🇬🇷 ΟΔΗΓΟΣ ΓΩΝΙΑΣ ΤΥΠΟΥ "Α"**

NIKO SERIES	32.000		33.000		34.000		35.000	
Corner guide Type "A" with nylon roller No.	32.N94	33.N94	33.N84	34.N94	34.N84	35.N94	35.N84	
Corner guide Type "A" with brass roller No.	32.M94	33.M94	33.M84	34.M94	34.M84	35.M94	35.M84	
Top corner bracket No.	21.F94	23.F94	24.F94	24.F94	25.F94	25.F94	26.F94	
Dimension H (mm)	124	158	205	205	260	260	320	
Dimension L (mm)	124	158	200	200	255	255	320	
Dimension H1 (mm)	140	182	229	242	297	308	368	
Dimension B (mm)	20	30	35	35	40	40	50	
Dimension d (mm)	12	19	19	32	32	50	50	
Dimension d1 (mm)	4.8	5.4	7	7	8.4	8.4	10.5	



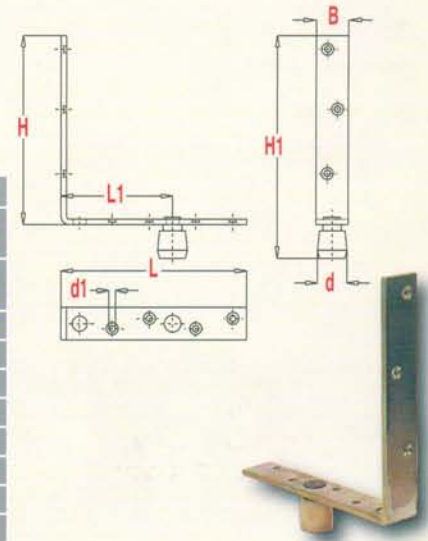
**🇬🇧 CORNER GUIDE WITH ROLLER**

**🇩🇪 FÜHRUNGSROLLE**

**🇫🇷 GUIDE SUR EQUERRE DECALE**

**🇬🇷 ΟΔΗΓΟΣ ΓΩΝΙΑΣ**

NIKO SERIES No.	32.000		33.000		34.000		35.000	
Corner guide with nylon roller No.	32.N95	33.N95	33.N85	34.N95	34.N85	35.N95	35.N85	
Corner guide with brass roller No.	32.M95	33.M95	33.M85	33.M95	34.M95	35.M95	35.M85	
Top corner bracket No.	21.F97	23.F97	24.F97	24.F97	25.F97	25.F97	26.F97	
Dimension H (mm)	124	158	205	205	260	260	320	
Dimension L (mm)	124	158	200	200	255	255	320	
Dimension L1 (mm)	70	80	80	120	120	155	155	
Dimension H1 (mm)	140	182	229	242	297	308	368	
Dimension B (mm)	20	30	35	35	40	40	50	
Dimension d (mm)	12	19	19	32	32	50	50	
Dimension d1 (mm)	4.8	5.4	7	7	8.4	8.4	10.5	



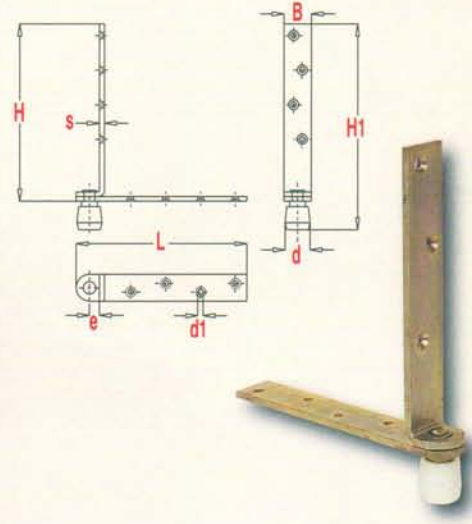
**🇬🇧 CORNER GUIDE TYPE "C"**

**🇩🇪 FÜHRUNGSROLLE AUSFUEHRUNG "C"**

**🇫🇷 GUIDE SUR EQUERRE EXTERIEUR**

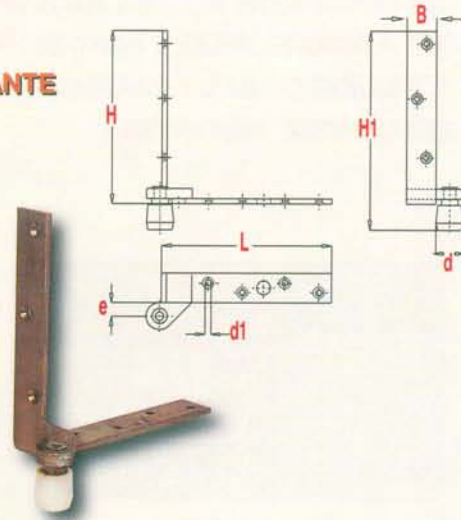
**🇬🇷 ΟΔΗΓΟΣ ΓΩΝΙΑΣ ΤΥΠΟΥ "C"**

NIKO SERIES	32.000		33.000		34.000		35.000	
Corner guide Type "C" with nylon roller No.	32.N96	33.N96	33.N86	34.N96	34.N86	35.N96	35.N86	
Corner guide Type "C" with brass roller No.	32.M96	33.M96	33.M86	34.M96	34.M86	35.M96	35.M86	
Top corner bracket	21.F96	23.F96	24.F96	24.F96	25.F96	25.F96	26.F96	
Dimension H (mm)	140	165	225	225	270	270	300	
Dimension H1 (mm)	168	190	249	262	307	318	348	
Dimension L (mm)	130	160	220	220	280	280	320	
Dimension e (mm)	7	8	12	12	14	14	16	
Dimension B (mm)	20	30	35	35	40	40	50	
Dimension d (mm)	12	19	19	32	32	50	50	
Dimension d1 (mm)	4.8	5.4	7	7	8.4	8.4	10.5	
Dimension s (mm)	4	5	6	6	8	8	10	



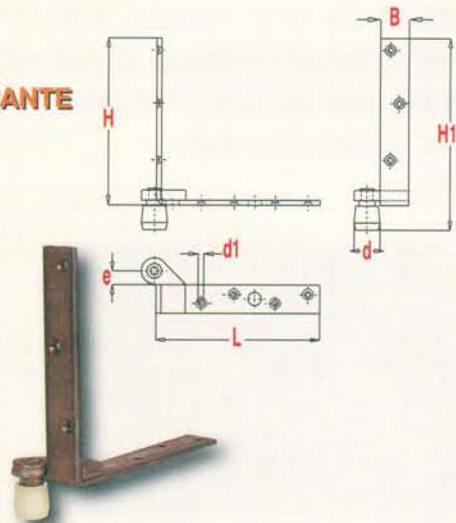
- CORNER GUIDE TYPE "B" WITH ROLLER (RIGHT)
- FÜHRUNGSROLLE AUSFÜHRUNG "B" (RECHTS)
- GUIDE SUR EQUERRE (DROITE) POUR PORTE PLIANTE
- ΟΔΗΓΟΣ ΓΩΝΙΑΣ ΤΥΠΟΥ "B" (ΔΕΞΙΟΣ)

NIKO SERIES	32.000	33.000	34.000	35.000
Corner guide Type "B" with nylon roller RIGHT No.	32.N97	33.N97	33.N87	34.N97 34.N87 35.N97 35.N87
Corner guide Type "B" with brass roller RIGHT No.	32.M97	33.M97	33.M87	34.M97 34.M87 35.M97 35.M87
Top corner bracket	21.F97	23.F97	24.F97	24.F97 25.F97 25.F97 26.F97
Dimension H (mm)	124	158	205	205 260 260 320
Dimension H1 (mm)	137	178	225	235 290 300 360
Dimension L (mm)	124	158	200	200 255 255 320
Dimension e (mm)	12	13	16	16 35 35 35
Dimension B (mm)	20	30	35	35 40 40 50
Dimension d (mm)	12	19	19	32 32 50 50
Dimension d1 (mm)	4.8	5.4	7	7 8.5 8.5 10.5



- CORNER GUIDE TYPE "B" (LEFT)
- FÜHRUNGSROLLE AUSFÜHRUNG "B" (LINKS)
- GUIDE SUR EQUERRE (GAUCHE) POUR PORTE PLIANTE
- ΟΔΗΓΟΣ ΓΩΝΙΑΣ ΤΥΠΟΥ "B" (ΑΡΙΣΤΕΡΟΣ)

NIKO SERIES	32.000	33.000	34.000	35.000
Corner guide Type "B" with nylon roller LEFT No.	32.N98	33.N98	33.N88	34.N98 34.N88 35.N98 35.N88
Corner guide Type "B" with brass roller LEFT No.	32.M98	33.M98	33.M88	34.M98 34.M88 35.M98 35.M88
Top corner bracket	21.F98	23.F98	24.F98	24.F98 25.F98 25.F98 26.F98
Dimension H (mm)	124	158	205	205 260 260 320
Dimension H1 (mm)	137	178	225	235 290 300 360
Dimension L (mm)	124	158	200	200 255 255 320
Dimension e (mm)	12	13	16	16 35 35 35
Dimension B (mm)	20	30	35	35 40 40 50
Dimension d (mm)	12	19	19	32 32 50 50
Dimension d1 (mm)	4.8	5.4	7	7 8.5 8.5 10.5



- GUIDE WITH ROLLER WITH BOTTOM BRACKET
- FÜHRUNGSROLLE AUF FLANSCH
- GUIDE DU BAS AVEC PLATINE
- ΟΔΗΓΟΣ ΜΕ ΦΛΑΝΤΖΑ

NIKO SERIES No.	32.000	33.000	34.000	35.000
Guide with nylon roller with bottom bracket No.	32.N00	33.N00	34.N00	35.N00
Guide with brass roller with bottom bracket No.	32.M00	33.M00	34.M00	35.M00
Dimension H (mm)	23	35	52	68
Dimension h (mm)	14	24	37	48
Dimension L (mm)	100	160	210	264
Dimension B (mm)	22	25	30	38
Dimension d (mm)	12	19	32	50
Dimension d1 (mm)	4.8	5.3	7.3	7.5

