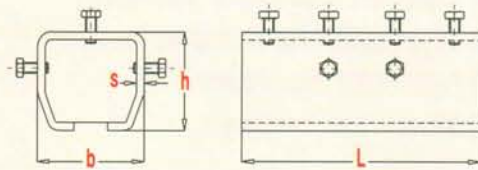


TRACK JOINTS

LAUFSCHIENENVERBINDUNGSMUFFE

MANCHONS D' ASSEMBLAGE

ΣΥΝΔΕΣΜΟΣ ΡΑΓΑΣ



NIKO Profile No.	21.000	23.000	24.000	25.000	26.000	27.000
Splice joint No.	21.B49	23.B49	24.B49	25.B49	26.B49	27.B49
Dimension L (mm)	100	120	150	180	200	250
Dimension h (mm)	36	45	54	75	93	134
Dimension b (mm)	38	49	60	80	100	118
Dimension s (mm)	3	4	4.5	6	8	10

WELD ON SUPPORT BRACKET

ÜBERSTECKMUFFE

SUPPORTS UNIVERSELS

ΣΤΗΡΙΓΜΑ ΟΥΔΕΤΕΡΟ

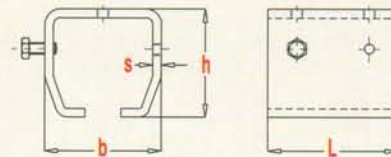


.B00



.B50

NIKO Profile No.	21.000	23.000	24.000	25.000	26.000	27.000
Support bracket zinc plated No.	21.B00	23.B00	24.B00	25.B00	26.B00	27.B00
Support bracket black No.	21.B50	23.B50	24.B50	25.B50	26.B50	27.B50
Dimension L (mm)	40	55	68	90	110	120
Dimension h (mm)	36	45	54	75	93	134
Dimension b (mm)	38	49	60	80	100	118
Dimension s (mm)	3	4	4.5	6	8	10

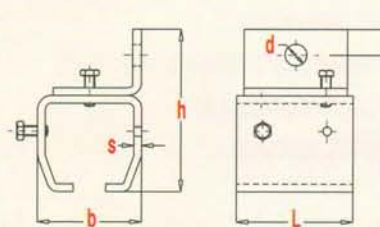


WALL SUPPORT BRACKET

WANDBEFESTIGUNGSMUFFE

SUPPORT MURAL

ΣΤΗΡΙΓΜΑ ΤΟΙΧΟΥ

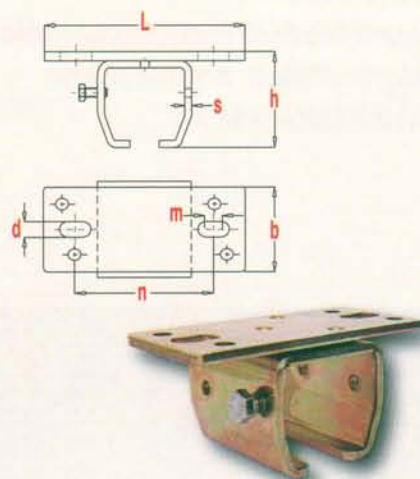


NIKO Profile No.	21.000	23.000	24.000	25.000	26.000	27.000
Wall support bracket No.	21.B01	23.B01	24.B01	25.B01	26.B01	27.B01
Dimension b (mm)	38	49	60	80	100	118
Dimension h (mm)	60	79	95	125	160	210
Dimension L (mm)	40	55	68	90	110	120
Dimension n (mm)	10	13	16.5	18	25	32
Dimension d (mm)	8Φ	11Φ	13Φ	17Φ	22Φ	27Φ
Dimension s (mm)	3	4	4.5	6	8	10



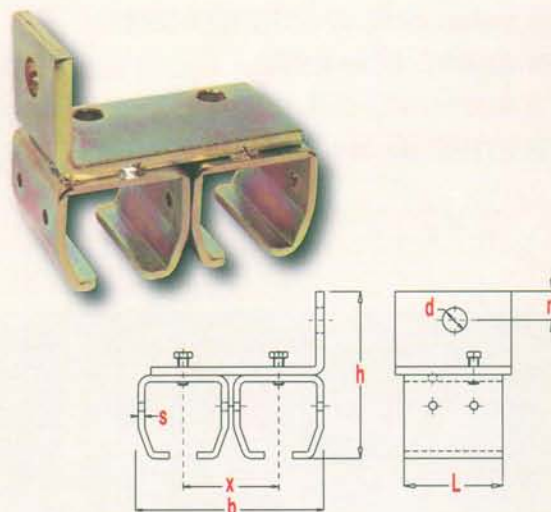
CEILING SUPPORT BRACKET
DECKENBEFESTIGUNGSMUFFE
SUPPORT PLAFOND
ΣΤΗΡΙΓΜΑ ΟΡΟΦΗΣ

NIKO Profile No.	21.000	23.000	24.000	25.000	26.000	27.000
Ceiling support bracket No.	21.B02	23.B02	24.B02	25.B02	26.B02	27.B02
Dimension b (mm)	41	50	60	80	100	118
Dimension h (mm)	39	51	60	83	103	146
Dimension L (mm)	88	115	130	170	210	260
Dimension n (mm)	63	80	94	124	148	178
Dimension d (mm)	8.5	11	13	17	22	22
Dimension m (mm)	7	8	8	10	12	23
Dimension s (mm)	3	4	4.5	6	8	10



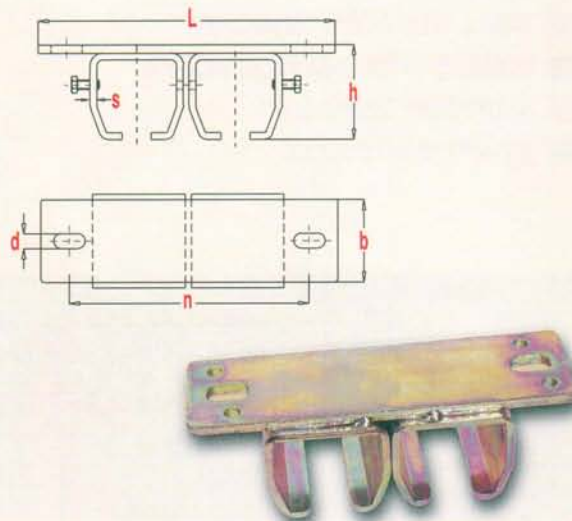
DOUBLE WALL BRACKET
DOPPELWANDBEFESTIGUNGSMUFFE
SUPPORT MURAL DOUBLE
ΣΤΗΡΙΓΜΑ ΤΟΙΧΟΥ ΔΙΠΛΟ

NIKO Profile No.	23.000	24.000		25.000
Double wall bracket No.	23.B31	24.B31	24.B33	25.B31
Dimension b (mm)	100	120	150	167
Dimension h (mm)	90	112	112	129
Dimension L (mm)	55	68	68	90
Dimension n (mm)	14	20	20	18.5
Dimension d (mm)	11	13	13	17
Dimension x (mm)	50	60	90	85
Dimension s (mm)	4	4.5	4.5	6



DOUBLE CEILING BRACKET
DOPPELDECKENBEFESTIGUNGSMUFFE
SUPPORT PLAFOND DOUBLE
ΣΤΗΡΙΓΜΑ ΟΡΟΦΗΣ ΔΙΠΛΟ

NIKO Profile No.	23.000	24.000		25.000
Double wall bracket No.	23.B32	24.B32	24.B34	25.B32
Dimension b (mm)	60	60	60	80
Dimension h (mm)	51	60	60	83
Dimension L (mm)	165	190	210	260
Dimension n (mm)	128	154	184	214
Dimension d (mm)	11	13	13	17
Dimension x (mm)	50	60	90	85
Dimension s (mm)	4	4.5	4.5	6



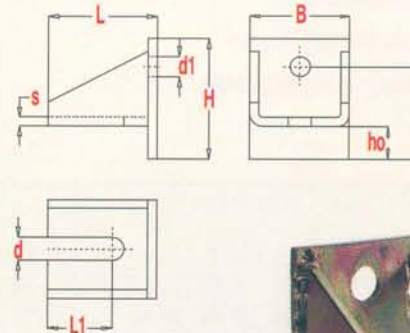
ADJUSTABLE WALL BRACKET

WINKELBEFESTIGUNG

CONSOLE SIMPLE

ΣΤΗΡΙΓΜΑ ΓΩΝΙΑΣ ΜΟΝΟ

NIKO Profile No.	21.000	24.000	26.000
Adjustable wall bracket No.	21.B05	24.B05	25.B05
Dimension B (mm)	50	75	90
Dimension H (mm)	40	80	110
Dimension h (mm)	25	61	85
Dimension ho (mm)	-	22	31
Dimension L (mm)	49	60	98
Dimension L1 (mm)	31	31	60
Dimension s (mm)	5	5	8
Dimension d (mm)	11	17	21
Dimension d1 (mm)	Φ18	Φ18	Φ18



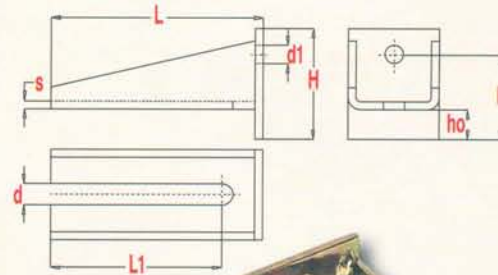
DOUBLE ADJUSTABLE WALL BRACKET

DOPPELWINKELBEFESTIGUNG

CONSOLE DOUBLE

ΣΤΗΡΙΓΜΑ ΓΩΝΙΑΣ ΔΙΠΛΟ

NIKO Profile No.	21.000	24.000	26.000	27.000
Double adjustable wall bracket No.	21.B06	24.B06	26.B06	27.B06
Dimension B (mm)	60	75	90	90
Dimension H (mm)	49	80	110	110
Dimension h (mm)	35	61	85	85
Dimension ho (mm)	-	16	31	31
Dimension L (mm)	100	155	208	208
Dimension L1 (mm)	82	120	168	168
Dimension s (mm)	6	5	8	8
Dimension d (mm)	11	17	21	31
Dimension d1 (mm)	Φ13	Φ17	Φ18	Φ22



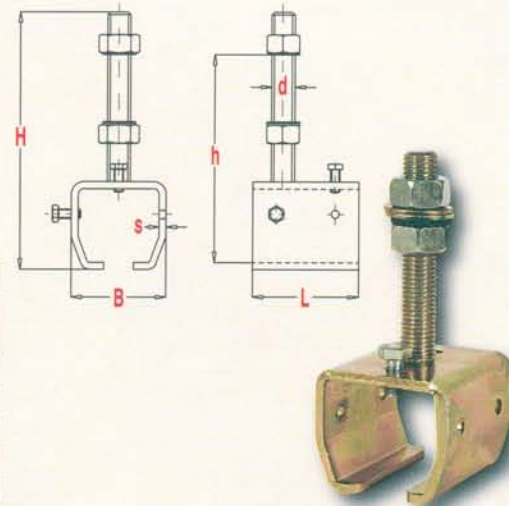
ADJUSTABLE BRACKET

HÖHEVERSTELLBAREMUFFE

SUPPORT REGLABLE EN HAUTEUR

ΣΤΗΡΙΓΜΑ ΡΥΘΜΙΖΟΜΕΝΟ ΚΑΘ' ΎΨΟΣ

NIKO Profile No.	21.000	23.000	24.000	25.000	26.000	27.000
Adjustable bracket No.	21.B04	23.B04	24.B04	25.B04	26.B04	27.B04
Dimension B (mm)	38	49	62	82	100	118
Dimension H (mm)	100	135	145	215	292	353
Dimension L (mm)	40	55	68	90	110	120
Dimension h (mm)	65±10	85±25	98±20	140±25	183±70	227±60
Dimension d (mm)	M10	M16	M16	M20	M20	M30
Dimension s (mm)	3	4	4.5	6	8	10



 **SPLIT SUPPORT BRACKET**

 **AUFHÄNGEKLEMME**

 **SUPPORT A SERRAGE**

 **ΣΤΗΡΙΓΜΑ ΔΙΑΙΡΟΥΜΕΝΟ**

NIKO Profile No.	21.000	23.000	24.000	25.000	26.000	27.000
Split support bracket No.	21.B03	23.B03	24.B03	25.B03	26.B03	27.B03
Dimension B (mm)	36	48	56.5	77	96	110
Dimension H (mm)	64.5	80	88	132	150	180
Dimension L (mm)	40	50	50	90	110	120
Dimension h (mm)	49	59	70	94	111	148
Dimension s (mm)	3	4	4	6	8	10
Dimension e (mm)	6	8	8	10	10	15
Dimension d (mm)	M10	M12	M12	M16	M16	M16

