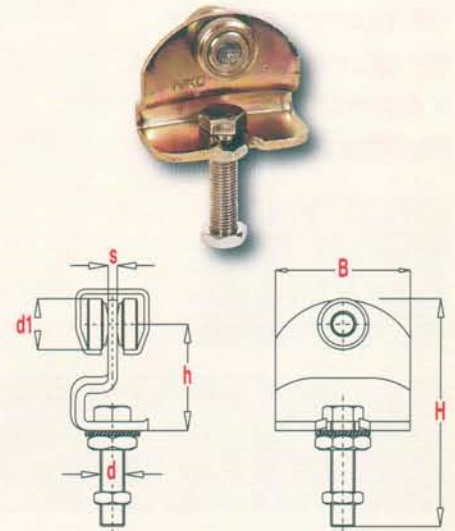


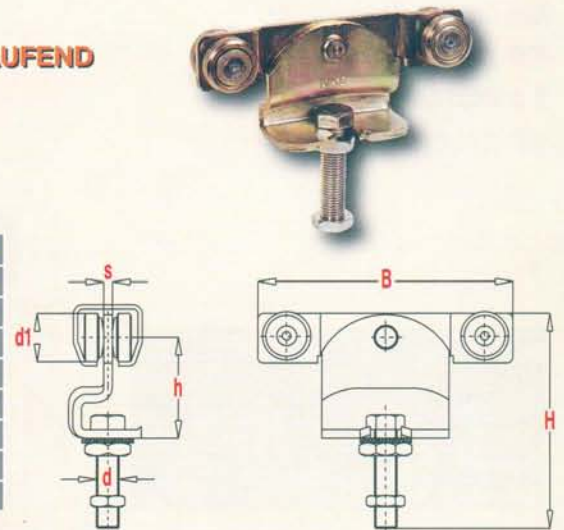
- SINGLE WHEEL HANGER**
- ROLLAPPARAT EINPAARIG GERADELAUFEND**
- GALET SIMPLE**
- ΠΑΟΥΛΟ ΣΥΠΟΜΕΝΩΝ ΜΟΝΟΖΕΥΓΟ**

NIKO Profile No.	21.000	23.000	24.000	25.000	26.000	27.000
Single wheel hanger No.	21.R90	23.R90	24.R90	25.R90	26.R90	27.R90
SWL kg	30	65	100	200	400	700
Dimension B (mm)	50	68.5	90	110	130	160
Dimension H (mm)	83	115	135	168	270	329
Dimension h (mm)	37	48	56	74	98	128
Dimension d (mm)	M10	M12	M16	M20	M24	M30
Dimension d1 (mm)	22	28	34	48	60	89
Dimension s (mm)	3	4.5	6	8	10	18



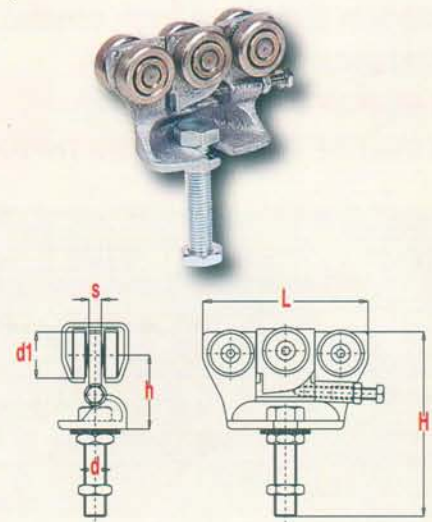
- DOUBLE WHEEL HANGER**
- ROLLAPPARAT DOPPELPAARIG GERADELAUFEND**
- GALET DOUBLE**
- ΠΑΟΥΛΟ ΣΥΠΟΜΕΝΩΝ ΔΙΠΛΟΖΕΥΓΟ**

NIKO Profile No.	21.000	23.000	24.000	25.000	26.000	27.000
Double wheel hanger No.	21.R91	23.R91	24.R91	25.R91	26.R91	27.R91
SWL kg	45	85	150	300	600	1000
Dimension B (mm)	107	136	180	240	235	310
Dimension H (mm)	84	116	136	169	268	329
Dimension h (mm)	32	45	54	74	98	128
Dimension d (mm)	M10	M12	M16	M20	M24	M30
Dimension d1 (mm)	22	28	34	48	60	89
Dimension s (mm)	3	4.5	6	8	10	18



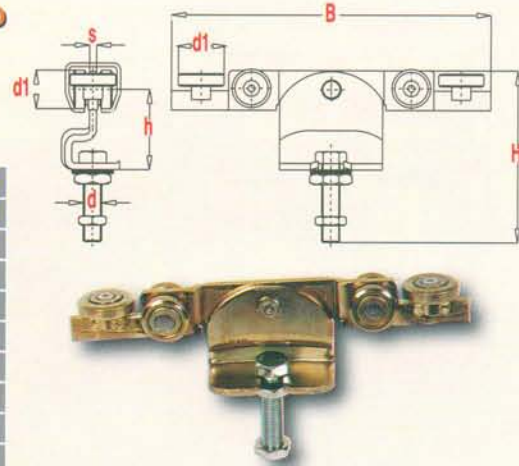
- TRIPLE WHEEL HANGER**
- ROLLAPPARAT DREIΠΑΑΡΙΓ GERADELAUFEND**
- GALET DOUBLE ET GALET A CONTRE PUSSEE**
- ΠΑΟΥΛΟ ΣΥΠΟΜΕΝΩΝ ΤΡΙΠΛΟΖΕΥΓΟ**

NIKO Profile No.	21.000	23.000	24.000	25.000	26.000
Triple wheel hanger No.	21.R92	23.R92	24.R92	25.R92	26.R92
SWL kg	45	85	150	300	600
Dimension H (mm)	83	113	134	169	254
Dimension h (mm)	22	45	55	73	98
Dimension L (mm)	65	90	120	160	184
Dimension d (mm)	M10	M12	M16	M20	M24
Dimension d1 (mm)	22	28	34	48	60
Dimension s (mm)	5.5	6.5	8	12	14



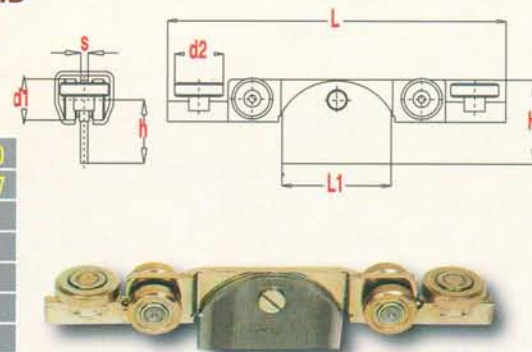
**WHEEL HANGER FOR ELECTRIC OPERATION**  
**ROLLAPPARAT, ELEKTRISCH GERADELAUFEND**  
**DOUBLE GALET A GUIDAGE LATERAL**  
**ΠΑΟΥΛΟ ΓΙΑ ΗΛΕΚΤΡΟΚΙΝΗΣΗ**

NIKO Profile No.	21.000	23.000	24.000	25.000	26.000	27.000
Wheel hanger for electric operation No.	21.R93	23.R93	24.R93	25.R93	26.R93	27.R93
SWL kg	30	45	85	150	300	600
Dimension H (mm)	84	116	137	169	268	329
Dimension h (mm)	32	45	55	73	98	128
Dimension L (mm)	170	216	280	360	385	480
Dimension d (mm)	M10	M12	M16	M20	M24	M30
Dimension d1 (mm)	22	28	34	48	60	89
Dimension d2 (mm)	25	32	40	55	67	73
Dimension s (mm)	3	4.5	6	8	14	18



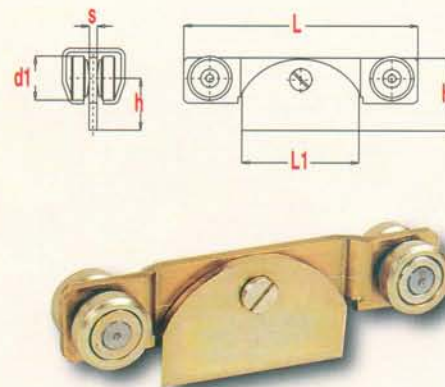
**WHEEL HANGER FOR ELECTRIC OPERATION**  
**ROLLAPPARAT, ELEKTRISCH GERADELAUFEND**  
**DOUBLE GALET 'A' GUIDAGE LATERAL**  
**ΠΑΟΥΛΟ ΓΙΑ ΗΛΕΚΤΡΟΚΙΝΗΣΗ**

NIKO Profile No.	23.000	24.000	25.000	26.000	27.000
Wheel hanger for electric operation No.	23.R97	24.R97	25.R97	26.R97	27.R97
SWL kg	45	85	150	300	600
Dimension H (mm)	44	56	73	82	120
Dimension h (mm)	31	40	49	56	80
Dimension L (mm)	216	280	360	385	480
Dimension L1 (mm)	68	90	110	130	80
Dimension d1 (mm)	28	34	48	60	89
Dimension d2 (mm)	32	40	55	67	73
Dimension s (mm)	4.5	6	8	14	18



**WHEEL HANGER FOR WELDING**  
**ROLLAPPARAT, ZUM SCHWEISSEN**  
**DOUBLE GALET AVEC SUPPORT**  
**ΠΑΟΥΛΟ ΓΙΑ ΣΥΓΚΟΛΗΣΗ**

NIKO Profile No.	21.000	23.000	24.000	25.000	26.000	27.000
Wheel hanger for welding No.	21.R94	23.R94	24.R94	25.R94	26.R94	27.R94
SWL kg	45	85	150	300	600	1000
Dimension H (mm)	35	44	56	73	82	120
Dimension h (mm)	25	31	40	49	56	80
Dimension L (mm)	105	136	180	240	235	310
Dimension L1 (mm)	50	68	90	110	130	80
Dimension d (mm)	22	28	34	48	60	89
Dimension s (mm)	3	4.5	6	8	10	20



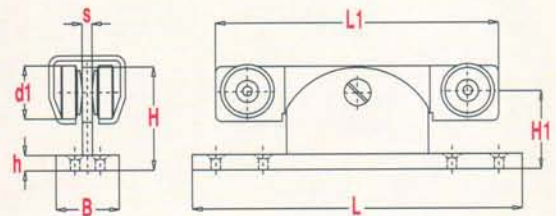
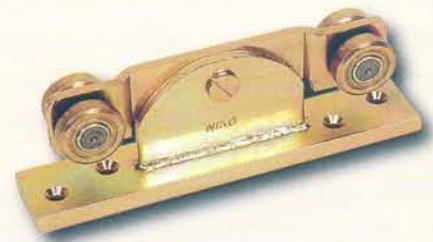
**DOUBLE WHEEL HANGER WITH BRACKET**

**ROLLAPPARAT, DOPPELPAARIG MIT FLANSCH**

**GALET DOUBLE**

**ΡΑΟΥΛΟ ΜΕ ΦΛΑΝΤΖΑ ΔΙΠΛΟΖΕΥΓΟ**

NIKO Profile No.	21.000	23.000	24.000	25.000
Double wheel hanger with bracket No.	21.R59	23.R59	24.R59	25.R59
SWL kg	45	85	150	300
Dimension H (mm)	39	52	66	89
Dimension H1 (mm)	29	41	50	60
Dimension h (mm)	4	10	10	12
Dimension L (mm)	100	160	210	265
Dimension L1 (mm)	105	136	180	237
Dimension B (mm)	20	30	40	50
Dimension d1 (mm)	22	28	34	48
Dimension s (mm)	3	4.5	6	8



**SINGLE WHEEL HANGER WITH BRACKET**

**ROLLAPPARAT EINPAARIG MIT FLANSCH**

**GALET SIMPLE**

**ΡΑΟΥΛΟ ΜΕ ΦΛΑΝΤΖΑ ΜΟΝΟΖΕΥΓΟ**

NIKO Profile No.	21.000	23.000	24.000	25.000
Single wheel hanger with bracket No.	21.R58	23.R58	24.R58	25.R58
SWL kg	30	65	100	200
Dimension H (mm)	39	52	66	89
Dimension H1 (mm)	29	41	50	60
Dimension h (mm)	4	10	10	12
Dimension L (mm)	100	160	210	265
Dimension L1 (mm)	50	68	90	110
Dimension B (mm)	20	30	40	50
Dimension d1 (mm)	22	28	34	48
Dimension s (mm)	3	4.5	6	8

